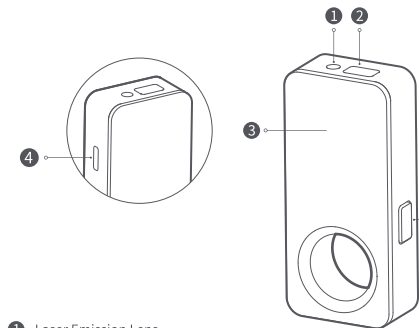


01 Product Overview

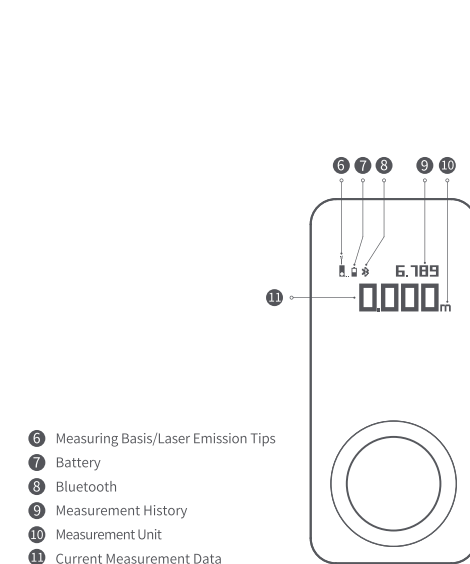
Read this manual carefully before use, and retain it for future reference.
Thank you for purchasing the HOTO Smart Laser Measure.



- 1 Laser Emission Lens
- 2 Laser Receiver Lens
- 3 Display
- 4 Type-C Charging Port
- 5 Power/Measure Button

1

02 Screen Display



- 6 Measuring Basis/Laser Emission Tips
- 7 Battery
- 8 Bluetooth
- 9 Measurement History
- 10 Measurement Unit
- 11 Current Measurement Data

2

03 How to Use

Turning the product on/off

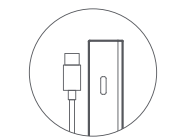
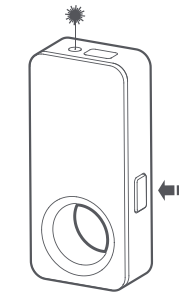
- In the shutdown state, press and hold the power/measure button for 3s to start the product, and the hidden display will light up to enter the test mode.
- In the power-on state, press and hold the power/measure button for 3s to power off the product.
- If no operation is performed within 180s, the product will automatically shut down.

Measurement method

- After starting the product, short press the power/measure button, the product emits laser (if no operation is performed, it will stop laser emission after 30s), then short press the power/measure button again to stop laser emission, and the measured data will be displayed.

Charging

- This rangefinder is equipped with a universal Type-C charging port, and comes with a USB charging cable.
- If it has not been used for a long time, fully charge the product before use.



3

This product works with Mi Home. You can use the Mi Home app to control “works with Mi Home” for software verification only. Xiaomi is not liable for the production, standard implementation, quality supervision and other aspects of the product and the company.



After connecting per the manual, and HOTO Smart Laser Measure is still not found, please go to My - Settings - Region and Language, modify the region setting to China mainland, and then connect again.



Connect to Mi Home app

- Scan the QR code on the right or search for “Mi Home” in the APP store to download and install the Mi Home app. If the app has been installed, you will be directed to the device connection page.



Scan to open Mi Home app
Search devices automatically

4

Bluetooth/connection

- The product supports Bluetooth connection. When it is started, Bluetooth automatically turns on with the “” icon flashing. Then, open the Mi Home app, the product will be automatically connected, with the “” icon always on. If the connection fails within 180s, Bluetooth will automatically turn off to save energy.

Notes

- If the product QR code cannot be scanned, search for the product name and add it.

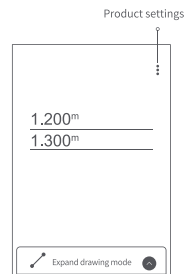
In addition, due to updates of the Mi Home app, the actual operation may slightly differ from the preceding description. Please follow the prompts on the app.

Switch reference plane

- By default, the reference plane of the product is end reference “”, so please use product end “” as the reference plane.
- To use the front-end reference “”, please switch to it in the product settings in the Mi Home app.

Change measurement units

- The product supports two measurement units, with “m” (meter/m) by default.
- To use “ft” (foot/ft) as the measurement unit, please switch to it in the product settings in the Mi Home app.



5

04 Safety Regulations

Safety terms

Please read the safety terms and operating instructions carefully before first use.

- Please read the operating instructions and safety terms in this manual carefully before using the product. Failure to follow the operating instructions in this manual may cause damage to the product, affect measurement accuracy, and cause personal injury to the user or a third person.
- Do not open or repair the product by yourself in any way, and it is strictly prohibited to illegally reequip or change the performance of the product's laser transmitter. Please keep the product properly. Put it in a place out of the reach of children, and avoid use by unrelated persons.
- It is forbidden to use the product to emit laser on eyes and other parts of the body or the surface of highly reflective objects.
- The product's electromagnetic radiation may cause interference to other equipment and devices. Please do not use this product near airplanes or medical equipment or in a flammable and explosive environment.
- The used batteries and end-of-life product cannot be discarded with domestic garbage. Please dispose of the used batteries and end-of-life product in accordance with relevant national or local laws and regulations.
- If the product has any quality problem or you have any question about using the product, please contact the local distributor or the HOTO smart manufacturer in time. We will solve your problem as soon as possible.

Thank you for choosing HOTO Smart Laser Measure.



6

05 Troubleshooting

Maintenance

- Do not place the product in a high temperature and high humidity environment for a long time. If the product will not be used for a long time, keep it in a normal temperature and humidity environment, and charge it every three months.
- Please keep the product surface clean by wiping the dust on the surface with a damp soft cloth. Do not clean the product with corrosive lotion. The laser window and focus lens can be wiped in the way of wiping optical devices.

Troubleshooting

During use, the following prompt messages may be displayed on the main display area:

Message	Cause	Solution
Lightning logo flashes quickly	Battery icon flashing quickly	Charge the battery
Unable to measure	Too weak information	Measure targets with strong reflection ability
	Too strong information	Measure targets with weak reflection ability
	Out of operating temperature range	Use the product within the specified temperature range
	Out of measurement range	Use the product within the measuring range

7

06 Specifications

Measuring range: 0.05–30m	Working power: 0.7W (MAX.)
Measurement accuracy: $\pm(2\text{mm}+d \times 1/10000)$	Charging Time: approx. 100 min
Minimum display unit: 0.001m	Automatic shutdown time: 180s
Measurement unit: m/ft	Laser automatic shutdown time: 30s
Laser wavelength: wavelength 630–680nm	Operating temperature: -10°C to 50°C
Lithium battery: 3.7V=200mAh	Storage temperature: -20°C to 60°C
Display screen: 0.96 inch OLED	Storage humidity: 20%–80% RH
Bluetooth transmission distance: approx. 8m	Dimensions: 73 x 33.2 x 16.8 mm
Charging parameters: 5V=1A	Net weight: approx. 36g

* “d” indicates the actual distance in the indoor standard reflecting surface environment.

* In harsh environments: for example, too strong sunlight, excessive environmental temperature fluctuation, weak reflection of the reflecting surface, and low battery, there may be larger errors in the measurement result. In this case, you are advised to use a target reflector.

Manufactured by: Shanghai HOTO Technology Co., Ltd.
Address: Building 45, No.50 Moganshan Road, Putuo District, Shanghai

8